

OVERALL SPECIFICATION

FLUID	: Compressed air or neutral gas The compressed air used must be dry to prevent ice buildup
PORTS	: G3/4 to G1 1/2
MAX. INLET PRESSURE	: 17,5 bar
CONTROLLED PRESSURE	: 0,5-12 bar, 0,5-16 bar, (0,5-4 bar)
HYSTERESIS	: 0,4 bar
AMBIENT TEMPERATURE	: -10°C to +60°C
MAX. FLOW	
(P1=10 bar and P2=6,3bar - ΔP=1 bar)	: G3/4 = 14600 l/mn - G1 = 20000 l/mn
REGULATOR	: Self-relieving



CONSTRUCTION

Regulating device with flat diaphragm
Nitrile seals (NBR)
Aluminium body
Locking «pull-turn-push» pressure control knob

CHOICE OF EQUIPMENT

port size	maximum inlet pressure (bar)	controlled pressure (bar)	maximum flow (ANR) at 6,3 bar pressure setpoint and ΔP 1 bar/setpoint inlet pressure 8 bar		code		
			(l/min)	(dm³/s)	regulator	with pressure gauge	without pressure gauge
Adjustment range: 0,5 - 16 bar					(0-16 bar pressure gauge)		
G 3/4	17,5	0,5 - 16	11000	184	50	34207085	34207081
G 1	17,5	0,5 - 16	16000	268	50	34207086	34207082
G 1 1/4 ⁽¹⁾	17,5	0,5 - 16	16000	268	50	34207087	34207083
G 1 1/2 ⁽¹⁾	17,5	0,5 - 16	16000	268	50	34207088	34207084
Adjustment range: 0,5 - 12 bar					(0-12 bar pressure gauge)		
G 3/4	17,5	0,5 - 12	11000	184	50	34207077	34207073
G 1	17,5	0,5 - 12	16000	268	50	34207078	34207074
G 1 1/4 ⁽¹⁾	17,5	0,5 - 12	16000	268	50	34207079	34207075
G 1 1/2 ⁽¹⁾	17,5	0,5 - 12	16000	268	50	34207080	34207076

(1) The G 1 1/4 and G 1 1/2 versions are composed of a G 1 version + 1 set of 2 G 1 1/4 or G 1 1/2 flanges (1 connecting flange for each end of each component). When assembling several components together (FRL, isolation valve etc...), select G 1 components and provide for 1 set of G 1 1/4 or G 1 1/2 flanges (see pages 19 and 20 for flanges assembly)

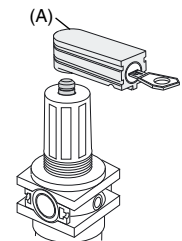
OPTIONS

- Regulator designed to receive a key lock, code: **662597**
- Key locking device attached to adjustment knob, supplied installed on regulator, code: **662593**
- Adjustment range: 0,5 to 4 bar, (provide 50 mm dia. 0 - 4 bar pressure gauge), code: **662567**

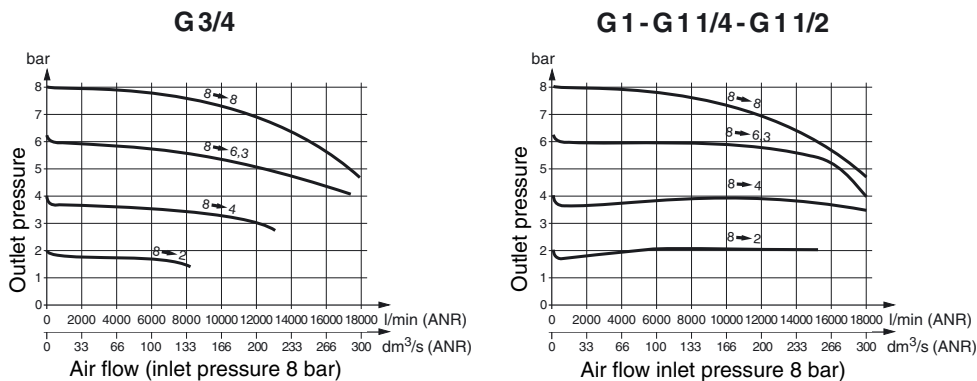
OTHER PRODUCT OPTIONS

- Hexagon adapter for the installation of a subbase-mount pressure switch at front (see accessories)
- Subbase-mount (see P918-1) or electronic (see P918-4) pressure switch
- By-pass module (see page 14)
- Key locking device (A), supplied separately for regulator designed to receive this accessory, code: **34303050**

ACCESSORIES (see pages 19 - 20)



PRESSURE LOSS VERSUS AIR FLOW CURVES

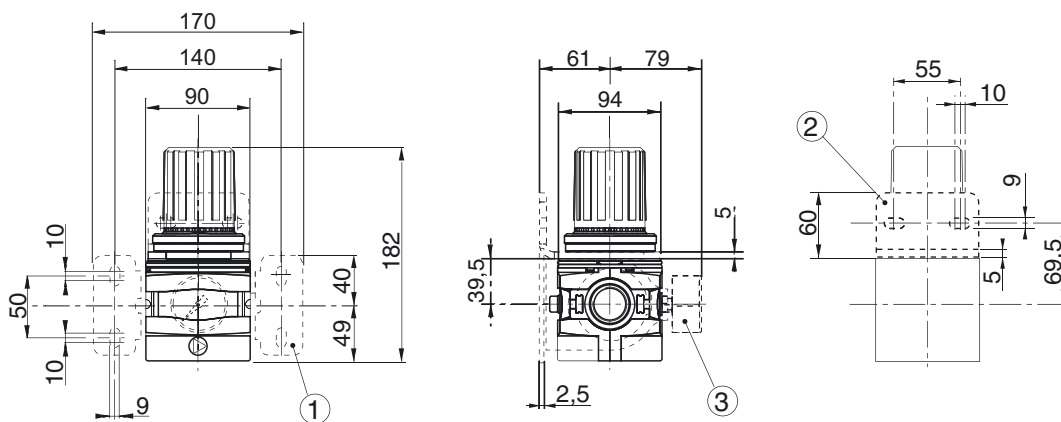


DIMENSIONS AND WEIGHTS - G3/4 - G1 VERSIONS

Weight: 1,200 kg

Mounting with side brackets

Mounting with top bracket



G 1 1/4 - G 1 1/2 versions - see accessories

- ① Mounting with 2 side brackets (accessory)
- ② Mounting with top bracket (accessory)
- ③ Dia. 50 mm pressure gauge

INSTALLATION

Regulators can be installed in any position.
 Panel mounting possible (mounting ring: see accessories)
 Fluid flow direction indicated by arrow (►)