

FEATURES

- The solenoid is conforming to **ICS-6 ANSI / NEMA** standard and **UL** standards **429, 508 and 1002**
- A one-piece moulded epoxy coated solenoid with an integral 1/2" NPT conduit hub
- The epoxy encapsulation serves as the enclosure and the magnetic frame is moulded into the coil
- The operator is available as both pull or push type solenoid and can be installed on normally open and normally closed valves
- The solenoid is of the 35 cm long leaded cable construction
- The solenoids include an internal non-resettable thermal fuse to limit solenoid temperature in the event that extraordinary conditions occur, which could cause excessive temperatures

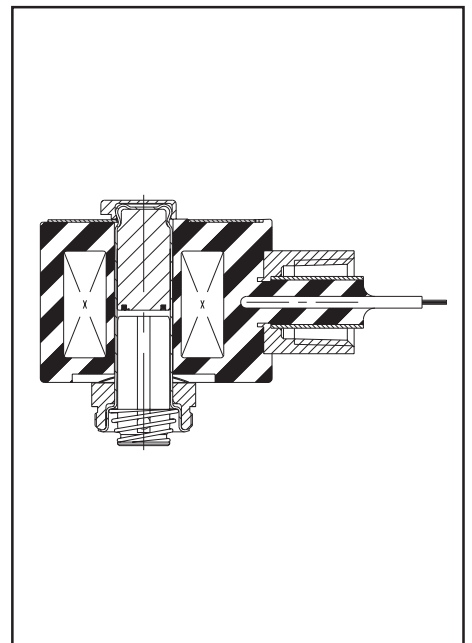
CONSTRUCTION

Encapsulant	Thermosetting epoxy-resin
Core and Core tube	Stainless steel
Plugnut	Stainless steel
Shading coil	Copper or Silver
Nameplate	Stainless steel
Conduit cable	1/2" NPT zinc plated carbon steel
Safety code	Type 7 and 9 (NEMA)

ELECTRICAL CHARACTERISTICS

Standard voltages DC (=): 24V
 (Other voltages and 50 Hz on request) AC (~): 24V - 120V - 240V / 60 Hz

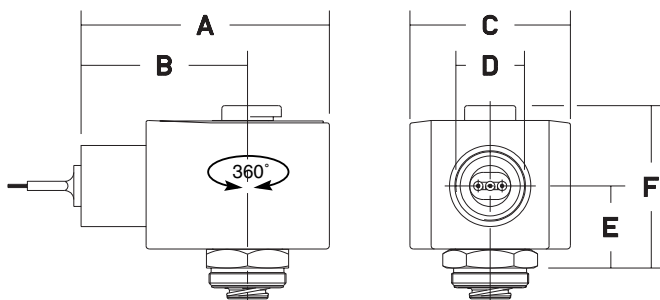
TEMPERATURE CLASSIFICATION AND MAXIMUM POWER RATINGS									
solenoid type	T3		T4		T5		T6		ambient temperature range °C
	~	=	~	=	~	=	~	=	
M6	11,1	10,6	-	-	-	-	-	-	-20 to +40
MXX	17,1	11,6	-	-	-	-	-	-	-20 to +40



INSTALLATION

- Installation on a large variety of valves is possible, from simple direct operated 2-way shut-off types, to more complex pilot operated directional control valves
- The operator provided with the standard ASCO bonnet thread (15/16" - 26 UNS) can simply be installed on valve bodies

DIMENSIONS (mm), WEIGHT (kg)



series	A	B	C	D	E	F	weight
M6	70	48	43	1/2 NPT	24	46	0,25
MXX	77	52	50	1/2 NPT	26	51	0,35

ORDERING INFORMATION

A valve supplied with the explosionproof solenoid operator will be identified with prefix **EF** before the catalogue number and the change letter **G**.

Example: **EF E210G095 240/50**

solenoid — voltage
 ISO7/1 — basic number
 pipe thread — number

The solenoid operator can replace all standard catalogue solenoids if not exceeding the maximum power ratings as indicated in the electrical characteristics table.

