

FEATURES

- Wide range of flow and pressure ratings
- Quick disassembly of core tube for easy maintenance of internal parts
- Standard disc seal made of FPM suitable for a wide range of operating temperatures and compatible with many fluids
- **Standard manual operator allows an easy installation (Except 4 and 5 mm orifice sizes)**
- AC/DC interchangeability of the solenoid without disassembly of the valve
- Compact and low weight valve

GENERAL

Differential pressure See «SPECIFICATIONS» [1 bar = 100 kPa]
Maximum viscosity 40 cSt (mm²/s)
Response time 5 - 10 ms

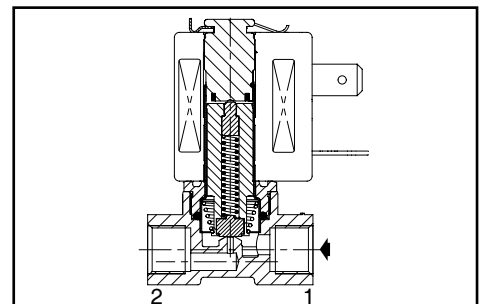
Fluids (*)	Temperature Range (TS)	Seal Materials (*)
air, inert gas, water, oil	- 10°C to +100°C	FPM (fluoroelastomer)



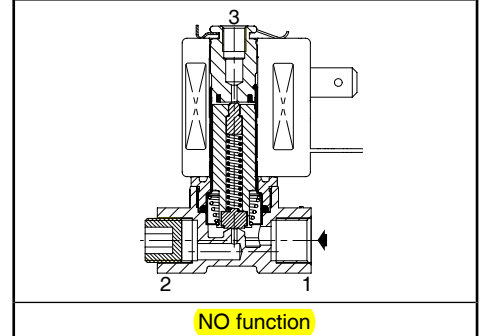
MATERIALS IN CONTACT WITH FLUID

(*) Ensure that the compatibility of the fluids in contact with the materials is verified

	Brass body	Stainless steel body
Body	Brass	AISI 316
Core tube	Stainless steel	Stainless steel
Core and plugnut	Stainless steel	Stainless steel
Springs	Stainless steel	Stainless steel
Seat	Brass	Stainless steel
Seals	FPM	FPM
Disc	FPM	FPM
Shading coil	Copper	Copper



NC function



NO function

ELECTRICAL CHARACTERISTICS

Coil insulation class F
Connector Spade plug (cable Ø 6-8 mm or Ø 6-10 mm)
Connector specification DIN 43650, 11 mm, industry standard B (type 01) or ISO 4400 / EN 175301-803, form A (type 02)
Electrical safety IEC 335
Electrical enclosure protection Moulded IP65 (EN 60529)
Standard voltages DC (=) : 24V - 48V
 (Other voltages and 60 Hz on request) AC (~) : 24V - 48V - 115V - 230V / 50 Hz

Prefix Option	Power Ratings				Operator Ambient Temperature Range (TS)	Replacement Coil		Type ⁽¹⁾
	Inrush	Holding		Hot/Cold		~	=	
		(VA)	(VA)					
SC	12	6	4	5 / 6.9	-10 to +60	400127-197	400127-142	01
	15	7	5	5 / 6.9	-10 to +60	400727-117	400727-185	02

⁽¹⁾ Refer to the dimensional drawings on the following page.

SPECIFICATIONS

Pipe Size	Orifice Size	Flow Coefficient Kv		Min.	Operating Pressure Differential (bar)						Power Coil (W)		Catalog Number		Options			
					max. (PS)								Brass	Stainless Steel	EPDM	Manual Operator		
					Air (*)		Water (*)		Oil (*)									~/=
G	(mm)	(m ³ /h)	(l/min)		~	=	~	=	~	=	~	=						
NC - Normally closed																		
1/8	1.2	0.05	0.8	0	28	20	28	20	28	20	4	6.9	SCG256B001V	-	E	MS	-	
	1.6	0.08	1.33	0	20	12	20	12	20	12	4	6.9	SCG256B002V	-	E	MS	-	
	2.0	0.11	1.83	0	15	6	15	6	15	6	4	6.9	SCG256B003V	SCG256B015V	E	MS	-	
	2.4	0.13	2.16	0	12	4	12	4	12	4	4	6.9	SCG256B004V	SCG256B016V	E	MS	-	
1/4	1.6	0.08	1.33	0	20	12	20	12	20	12	4	6.9	SCG256B402V	SCG256B414V	E	MS	-	
					20	15	20	15	20	15	5	6.9	SCG256B466V	SCG256B434V	E	MS	-	
	2.4	0.16	2.67	0	12	4	12	4	12	4	4	6.9	SCG256B404V	SCG256B416V	E	MS	-	
					15	8	15	8	15	8	5	6.9	SCG256B470V	SCG256B436V	E	MS	-	
	4	0.33	5.5	0	5	2	5	2	5	2	5	6.9	SCG256B471V	-	-	-	-	
					3	1	3	1	3	1	5	6.9	SCG256B472V	-	-	-	-	
NO - Normally open																		
1/8	1.2	0.05	0.8	0	10	10	10	10	10	10	4	6.9	SCG256B006V	-	E	MS	-	

OPTIONS

- Valves can also be supplied with EPDM (ethylene-propylene) seals and discs. Use the appropriate optional suffix letter for identification
- Manual operator available with suffix MS
- Other pipe connections are available on request

INSTALLATION

- The solenoid valves can be mounted in any position without affecting operation
- Solenoid valves have 2 mounting holes in body
- Pipe connection identifier is G = G (ISO 228/1)
- Installation/maintenance instructions are included with each valve

ORDERING EXAMPLES:

SC	G	256	B 471	V	230V / 50 Hz
SC	G	256	B 006	VMS	24V / DC
SC	G	256	B 001	E	230V / 50 Hz
SC	G	256	B 002	EMS	24V / DC

prefix ————
 pipe thread ————
 basic number ————
 voltage ————
 suffix ————

DIMENSIONS (mm), WEIGHT (kg)

TYPE 01
 Prefix "SC" Solenoid
 Epoxy moulded
 IEC 335 / DIN 43650
 IP65

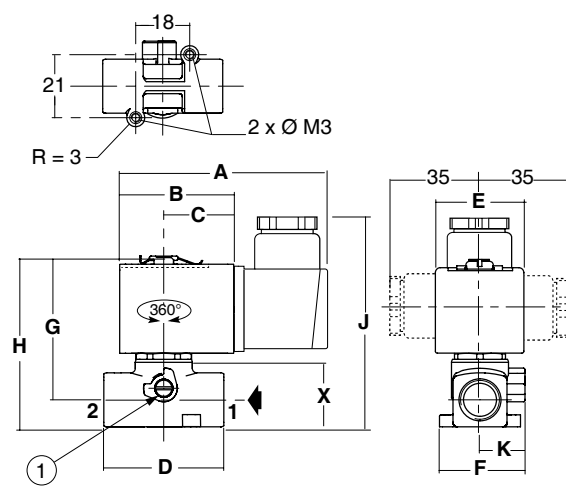
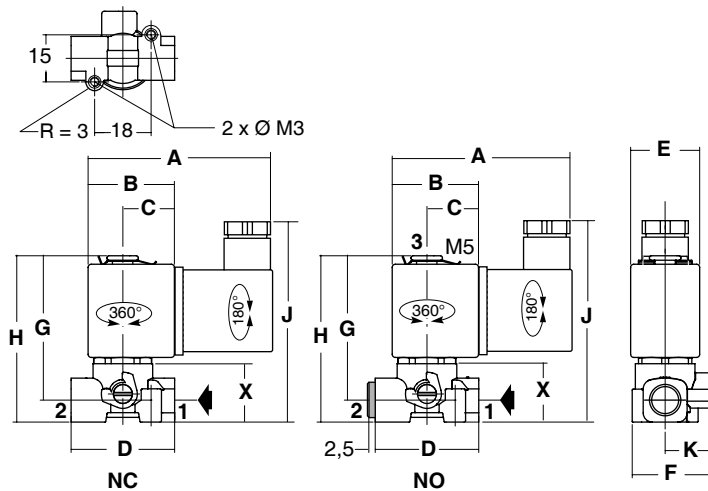
NC (1/8): SCG256B001V/002V/003V/004V/015V/016V

NC (1/4): SCG256B402V/404V/414V/416V

NO (1/8): SCG256B006V/018V

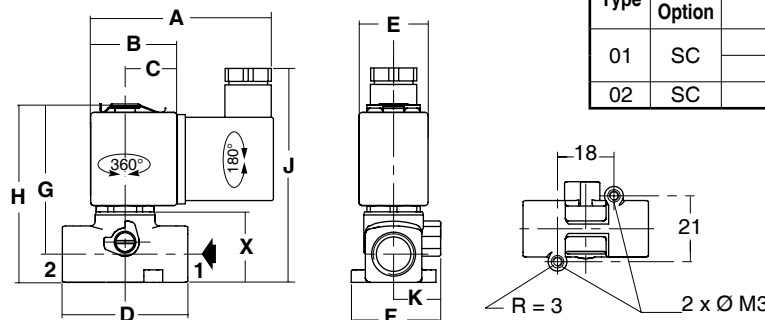
TYPE 02
 Prefix "SC" Solenoid
 Epoxy moulded
 IEC 335 / ISO 4400
 IP65

NC(1/4): SCG256B466V/470V/471V/472V/434V/436V



① Except catalogue numbers: SCG256B471V/472V

NC (1/4): SCG256B402VMS/404VMS/414VMS/416VMS



Type	Prefix Option	Pipe Size	A	B	C	D	E	F	G	H	J	K	X
01	SC	1/8	60.5	27.5	16.5	33	22	25.5	46	53	69	15	18.6
		1/4	60.5	27.5	16.5	40	22	28.5	48	57	76	15	23.4
02	SC	1/4	76	38	23.3	40	29.7	28.5	48	57	78.5	15	23.4

Type	Prefix Option	Pipe Size	Weight ⁽²⁾	
			Brass	Stainless Steel
01	SC	1/8	0.152	0.148
		1/4	0.180	0.177
02	SC	1/4	0.235	0.232

⁽²⁾ Incl. coil(s) and connector(s).