

FEATURES

- Size 30 CNOMO pilot adapted for the piloting of actuators or spool valves
- Version with M12 connection, integrated Led and protection
- Manual operator as standard

GENERAL

Fluid	Air or neutral gaz, filtered, lubricated or not
Operating pressure	0 to 10 bar
Maximum allowable pressure	16 bar
Fluid temperature	-10°C to +60°C
Ambient temperature	-10°C to +60°C
Flow (Qv at 6 bar)	See "specifications"
Response time	5 ms
Base	ISO 15218 (CNOMO 06.05.80/NF E 49066, size 30)



CONSTRUCTION

Body	PA + FV (glass filled polyamide 6/6)
Pad mounting body	Ports 1 and 2 on subbase, port 3 tapped M5
Exhaust	M5 female
Seals	NBR (nitrile)
Electrical equipment	Conforming to NF C79300 standard

ELECTRICAL CHARACTERISTICS

coil type	voltages	consumption		insulation class	protection degree	electrical connection
		inrush	hold			
size 25 with pins	~ 24V-48V-115V-230V/50Hz	9VA	4VA (3W)	F	IP 65	spade plug size 30 connector ISO4400/ EN175301-803, form A, rotatable by 90°
	= 24V-48V	3W				
M12 with Led and protection	= 24V	3W		F	IP 65	M12 connection, 3 pins CNOMO E03.62.520.N

SPECIFICATIONS

orifice size (mm)	flow				allowable differential pressure (bar)		(M)	catalogue number		
	at 6 bar l/min (ANR)		coefficient Kv		min.	max.		with DIN connector	without DIN connector	with M12 connection
	1 → 2	2 → 3	1 → 2	2 → 3						
1,6	70	84	1	1,2	0	10	×	19000005	19000013	19000043
							●	19000006	19000014	19000044
							▼	19000017	19000018	19000046
							■	19000008	19000016	19000045

(M) Type of manual operator : × : without ● : maintained ▼ : impulse ■ : button

SUBBASES : see overleaf

OPTIONS

SOLENOID VALVE WITH COIL FOR DIN CONNECTOR


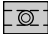
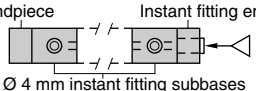
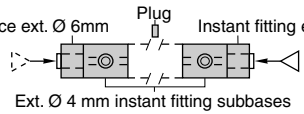


- Others voltages or 60 Hz frequency, on request
- For temperatures -25°C to +90°C, see solenoid valve S374 on catalogue Fluid Control V598
- Solenoid head EEx complying with European standards for explosive atmospheres "m" (PV), zones 1-21
- Solenoid head for dusty explosive atmospheres (DU), zone 22
- Connector with cable outlet, 2m long: **88122612**
- Connector with protection by transil (see section "Coils and Accessories")
- Solenoid valve with built-in visual indicator and protection:

catalogue number solenoid valve without connector (see above)	+	catalogue number connector with built-in visual indicator and VDR protection			
		24V (~/=)	48V (~/=)	115V (~/=)	230V (~/=)
		88122603	88122604	88122605	88122608

SOLENOID VALVE WITH M12 CONNECTION COIL

- Straight M12 connector with 5 female contacts, Ø4 to 6mm cable entry, catalogue number: **88100304**
- Straight M12 connector with 5 female contacts, Ø6 to 8mm cable entry, catalogue number: **88100256**
- Straight M12 connector with 5 female contacts, cable length 5m, catalogue number: **88130212**
- Right-angle M12 connector with 5 female contacts, cable length 5m, catalogue number: **88130213**

SUBBASES

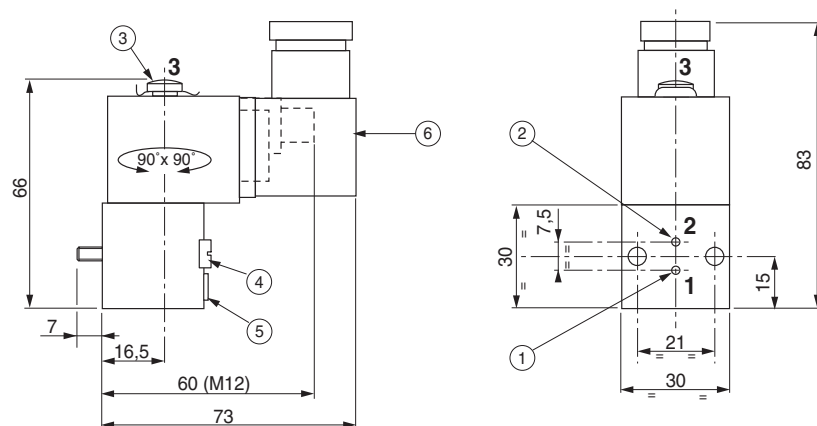
connection	description	composition	catalogue number
with instant fittings (6/6 polyamide subbases)	1 single subbase		35300069
	1 joinable subbase		35300070
	set of 2 joinable end subbases, right-hand pressure intake, ext. Ø 6 mm instant fitting	 Plugged endpiece Instant fitting endpiece ext. Ø 6mm Ext. Ø 4 mm instant fitting subbases	35300071
	set of 2 joinable end subbases, right-hand and/or left-hand pressure intake, ext. Ø 6 mm instant fittings	 Instant fitting endpiece ext. Ø 6mm Plug Instant fitting endpiece Ø 6mm Ext. Ø 4 mm instant fitting subbases	35300072 (1)
G 1/8 tapped (Zinc diecast subbases)	1 laterally-connected single subbase		35300047
	1 laterally-connected joinable subbase		35300048

(1) Equipment can be used for 2 different pressure intakes.

These subbases can be directly mounted on EN 50022 - AFNOR NF C63015 rail using 2 or more mounting clips (clips sold in packets of 10, cat no. **33400036**).

DIMENSIONS (mm), WEIGHTS (kg)

PAD MOUNTING SOLENOID VALVE ALONE



weight	
with DIN coil	with M12 connection
0,180	0,170

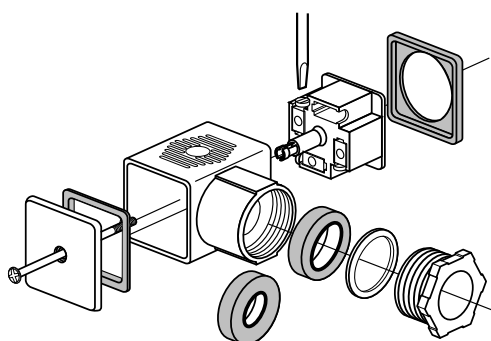
- ① Port 1
- ② Port 2
- ③ Port 3 with exhaust protector
Connectable port Ø M5 depth 5,5
- ④ Fixing : two CM4x33,5 screws
- ⑤ Manual operator
- ⑥ Connector rotatable by 90°

CONNECTION TO SIZE 30 CONNECTOR

Easier and faster electrical connection.

Connector delivered with 2 sealing rings for cable Ø 8 - 10 mm or cable Ø 6 - 8 mm.

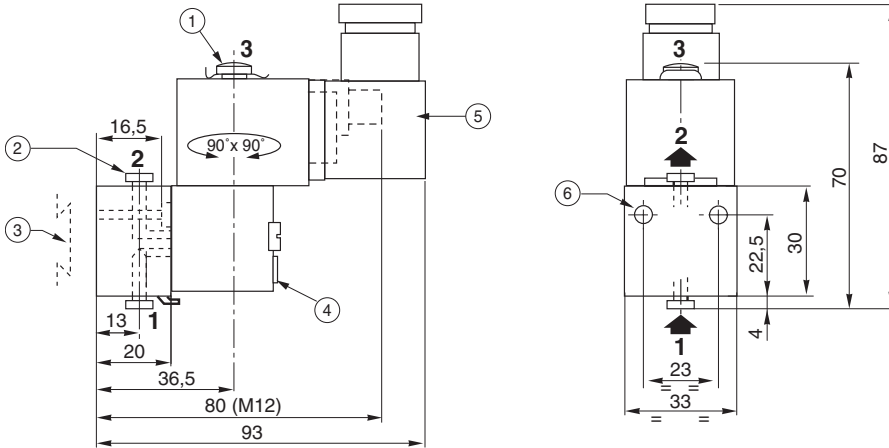
Removable upper lid for checking the voltage **without interrupting the operation** of the solenoid valve.



DIMENSIONS (mm), WEIGHTS (kg)

PAD MOUNTING SOLENOID VALVE ON SINGLE INSTANT-FITTING SUBBASE

Subbase: catalogue number **35300069**

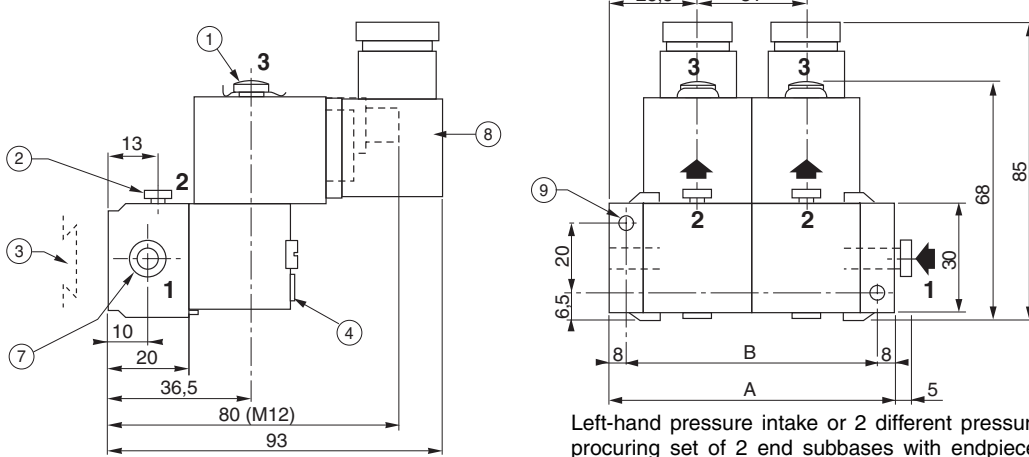


weight	
with DIN coil	with M12 connection
0,195	0,185

SOLENOID VALVE ON JOINABLE INSTANT-FITTING SUBBASE

Subbase: catalogue number **35300070**

Subbases with endpieces: catalogue number **35300071**



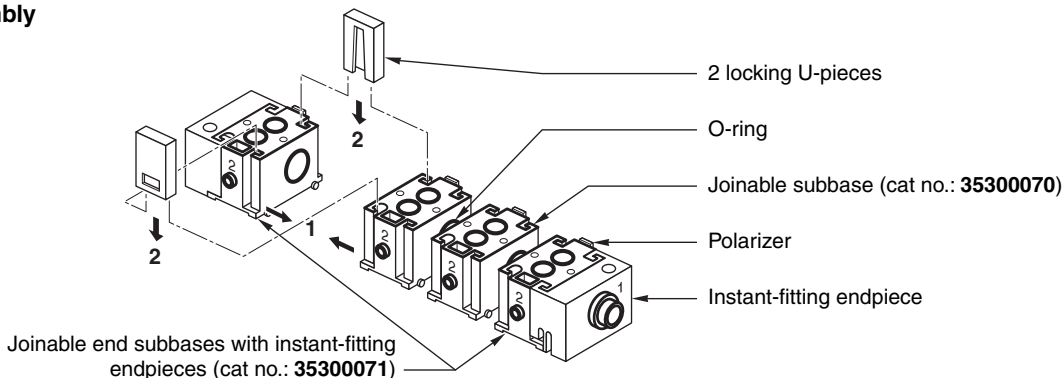
Left-hand pressure intake or 2 different pressure intakes by procuring set of 2 end subbases with endpieces catalogue number: **35300072**

When mounted on DIN rail, it is recommended to use 1 securing clip on the end subbases as well as on the central subbase.

- ① Port 3
- ② Instant fitting connection for 4 mm OD tube
- ③ Adaptable clips
- ④ Manual operator
- ⑤ Connector rotatable by 90°
- ⑥ 2 securing holes Ø 3,5
- ⑦ Instant fitting connection for Ø 6 mm OD tube
- ⑧ Connector rotatable by 180°
- ⑨ 2 securing holes Ø 4.5

number of subbases	A	B	weight with subbases	
			DIN coil	M12 connection
2	88	72	0,415	0,395
3	119	103	0,610	0,580
4	150	134	0,805	0,765
5	181	165	1,000	0,950
6	212	196	1,195	1,135
7	243	227	1,390	1,320
8	274	258	1,585	1,505

Assembly



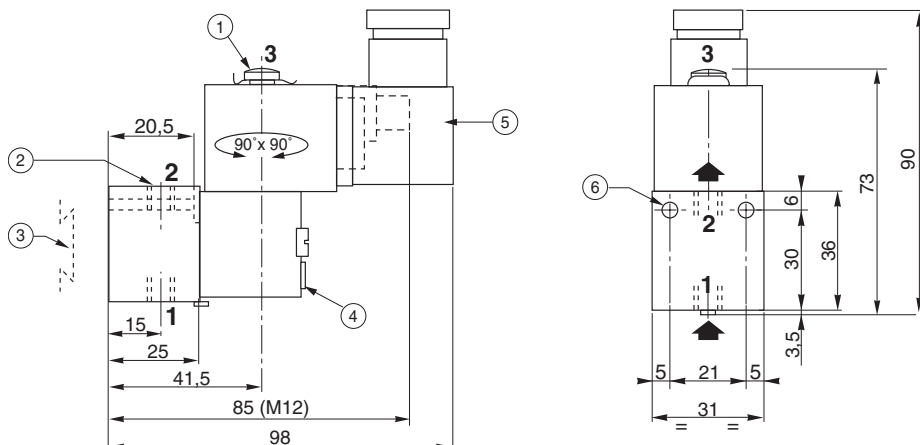
00421GB-2006/R01 Availability, design and specifications are subject to change without notice. All rights reserved.

00421GB-2006/R01

DIMENSIONS (mm), WEIGHTS (kg)

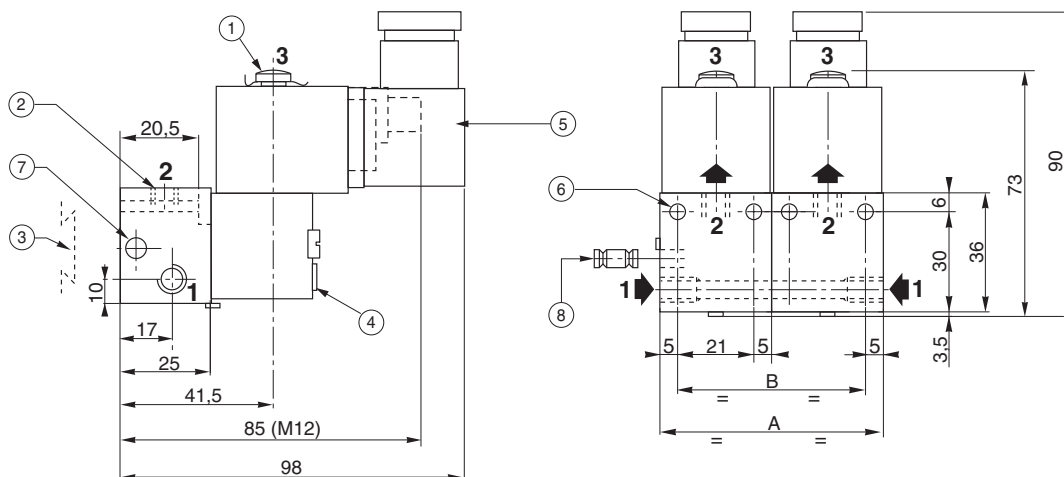
SOLENOID VALVE MOUNTED ON SINGLE SUBBASE

Subbase: catalogue number **35300047**



SOLENOID VALVE MOUNTED ON JOINABLE SUBBASE

Subbase: catalogue number **35300048**

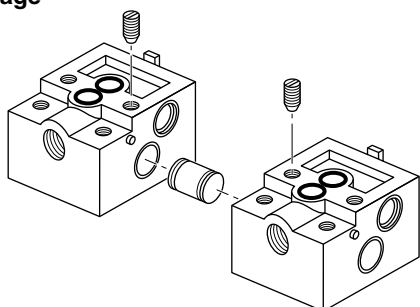


- ① Port 3 : connection Ø M5, depth 5,5
- ② Port 2
- ③ Adaptable clips
- ④ Manual operator
- ⑤ Connector rotatable by 90°
- ⑥ 2 securing holes Ø 4.5
- ⑦ Subbases assembly port
- ⑧ Adapter

number of subbases	A	B	weight with subbases	
			DIN coil	M12 connection
2	62	52	0,490	0,470
3	93	83	0,735	0,705
4	124	114	0,980	0,940
5	155	145	1,225	1,175
6	186	176	1,470	1,410
7	217	207	1,715	1,645
8	248	238	1,960	1,880

Subbases delivered with seals, set screws and joining unit for complete assembly.

Montage



Joinable subbases assembled with adapter locked by sunk set screws
 When mounted on DIN rail it is recommended to use a securing clip on each end subbase as well as on the central subbase.